
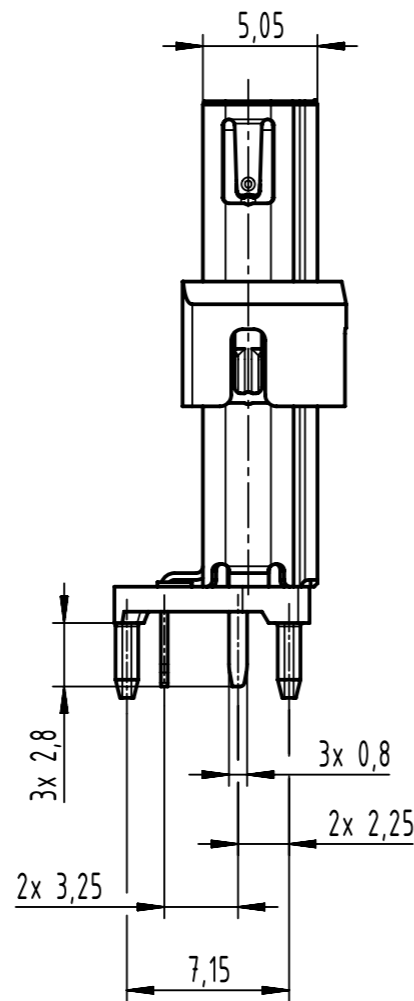
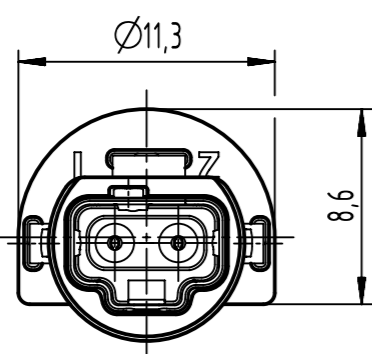
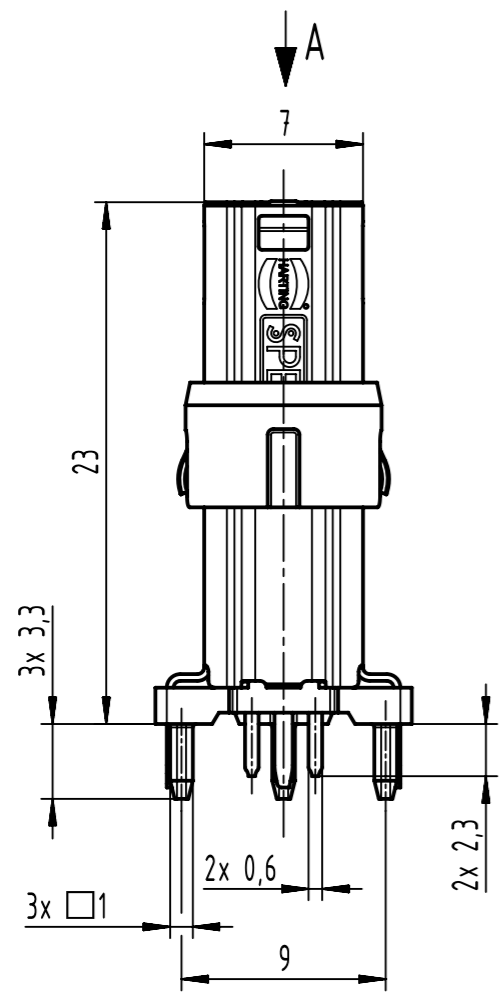
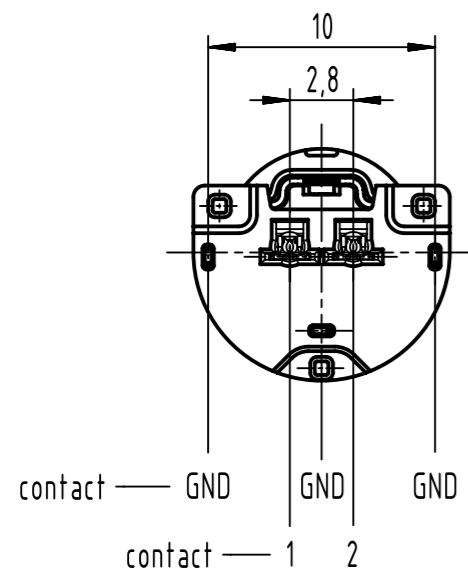
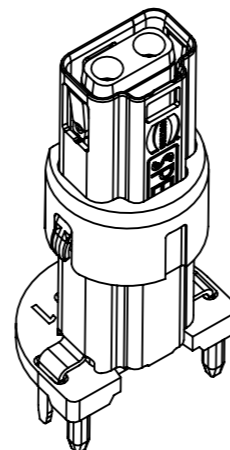


1 piece single package

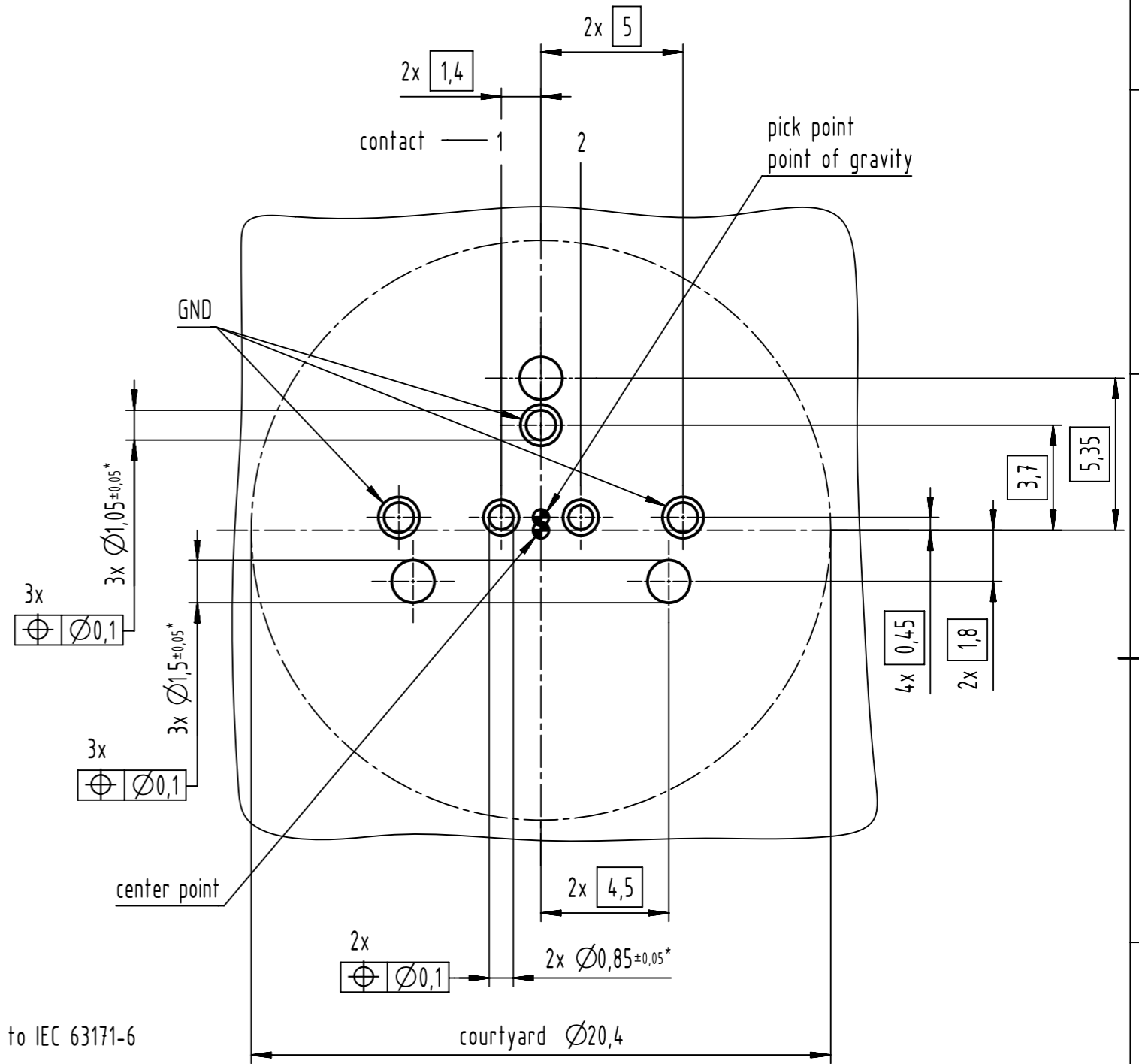
	All rights reserved		Created by HASELOH		Inspected by LUETTERMANN		Standardisation		Date 2022-12-07		State Final Release	
	Department EL PD		Title M12-PCB-THR-2PC-2P-SPE-F-STR-SHLD		Doc-Key / ECM-Nr. 100898331/UGD/004/D 50000232007		Rev. D		Page 1/2			
HARTING D-32339 Espelkamp		Type TB		Number 21033392211								



mating face acc. to IEC 63171-6



A (5:1) PCB layout



*) all holes are finished diameter

contact	PMA signal
1	BI DA+
2	BI DA-

	All Dimensions in mm Original Size DIN A3	Scale 3:1	Free size tol.	Ref.	
	All rights reserved Department EL PD	Created by HASELOH	Inspected by LUETTERMANN	Standardisation	Date 2022-12-07
HARTING D-32339 Espelkamp	Title M12-PCB-THR-2PC-2P-SPE-F-STR-SHLD			State Final Release	
	Type TB	Number 21033392211		Doc-Key / ECM-Nr. 100898331/UGD/004/D 50000232007	Rev. D Page 2/2